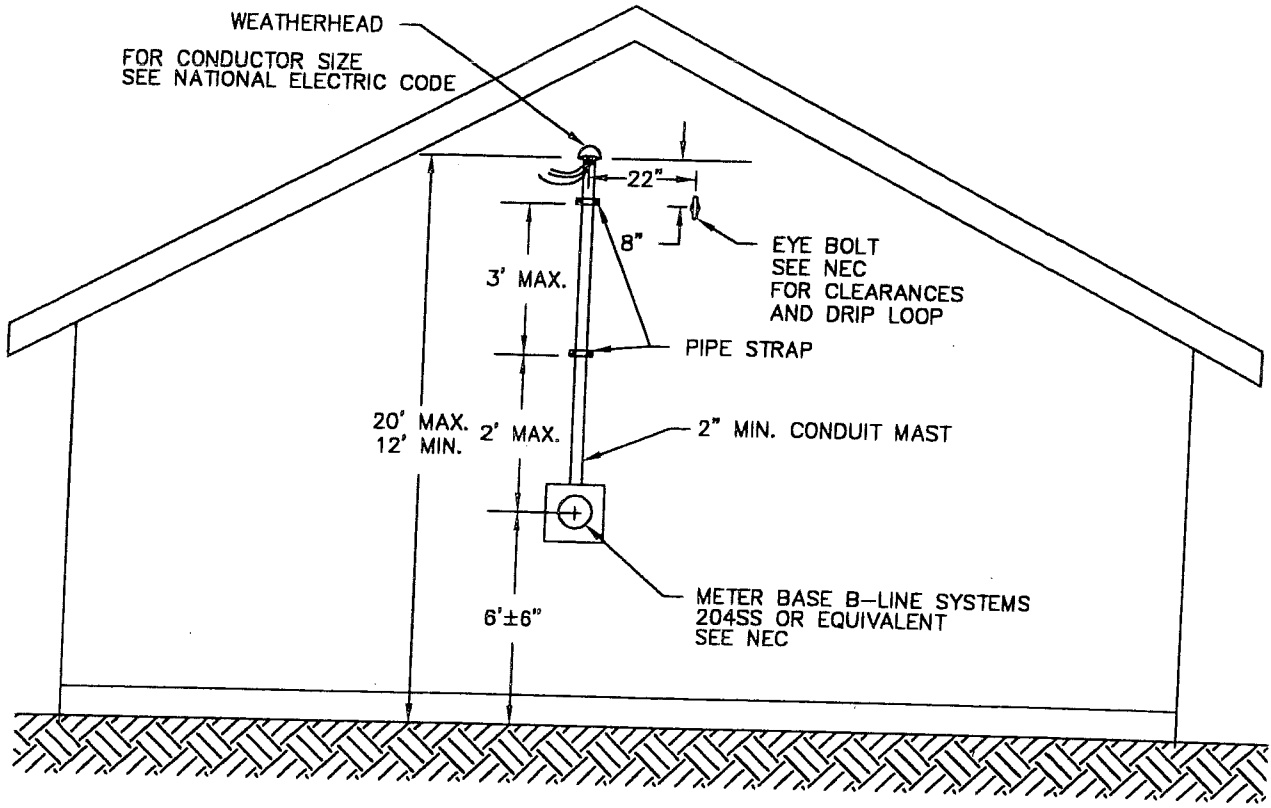
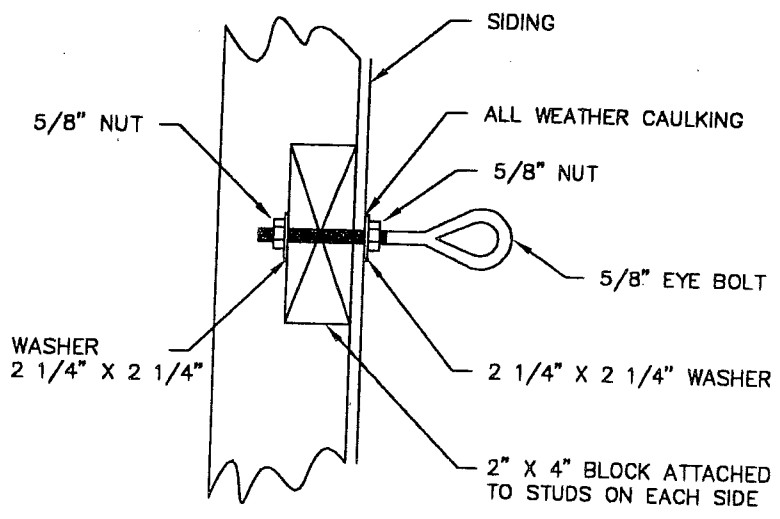


PRIOR P.U.D. APPROVAL REQUIRED



SINGLE PHASE SERVICE



NOTE:

1. ALLOW 18" OF WIRE OUT OF WEATHERHEAD
2. 5/8" EYE BOLT FURNISHED BY P.U.D., TO BE CUSTOMER INSTALLED.
3. AN APPROVED GROUND TO BE INSTALLED AS REQUIRED BY NATIONAL ELECTRICAL CODE.

EYE BOLT
INSTALLATION

FIGURE 3-2

	GABLE END OF BUILDING SERVICE REQUIREMENTS	
	DATE 11-18-03 DWN. BY <i>Tiffany Lima</i> DWG NAME FIGURE3-2	TILLAMOOK P.U.D. OREGON 24 TILLAMOOK

**TILLAMOOK PEOPLE'S UTILITY DISTRICT
CONSTRUCTION GUIDELINES
GABLE END OF BUILDING**

1. **Gable end of building services are only allowed with prior permission from the TPUD Engineering Department.**
2. The customer is responsible for installing the meter base to meet State and TPUD specifications as shown on the reverse.
3. Customer is responsible for obtaining State Electrical permit and State Inspection prior to the connection of electrical service. (State Electrical Inspector, 842-3440, located in Tillamook County Courthouse, Building Department).
4. If a service extension fee is required, the fee must be paid and line extension agreement signed prior to the installation of service.
5. Customer is responsible for filing an "Application for Service" card with the Engineering Department prior to scheduling the installation.
6. Cost estimates are good for 180 days only.
7. Required easements, tree trimming permits, property descriptions, and signatures are the responsibility of the customer.
8. Please refer to sketches on clearances.

These are only general requirements. Customer must meet or exceed NEC requirements. More specific requirements may be made on individual installations.